

FS10 Aerosol Connection Box



9. december 2024

The FS10 Aerosol Connection Box can be used for easy installation when having 3 to 5 aerosol generators and save time on mounting.

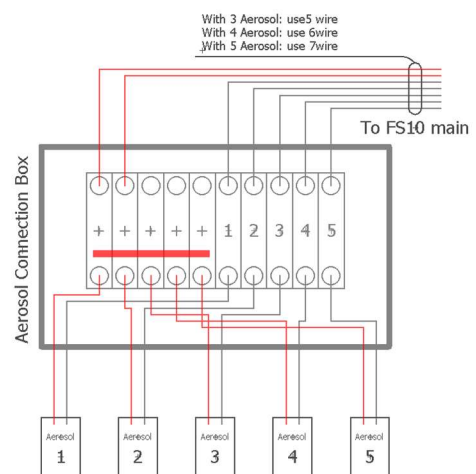
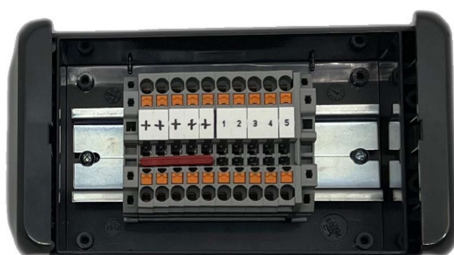
Instead of having 3 to 5 individual cables from the FS10 main unit to each Aerosol generator, you only need one cable from the FS10 main unit to the Aerosol connection box, and then split out to each Aerosol generator. See the drawing below.

Because the positive connection to the Aerosol generator is common for the Aerosol generators we recommend having 2 wires for the positive connection between the FS10 main and the Aerosol connection box, because if one breaks, you still have the other.



- JKE Part no. 0313
- Dimensions: (X x Y x Z) (150 x 80 x 65,5) mm
- Weight: 290g

Mounting:



JK e-solutions ApS
Røjklitvej 28
Holmsland
DK-6950 Ringkøbing

Tel. +45 7734 7712
E-mail info@jke-solutions.dk
VAT no. 33 50 86 89